

Figure (1)

- Beam Geometry

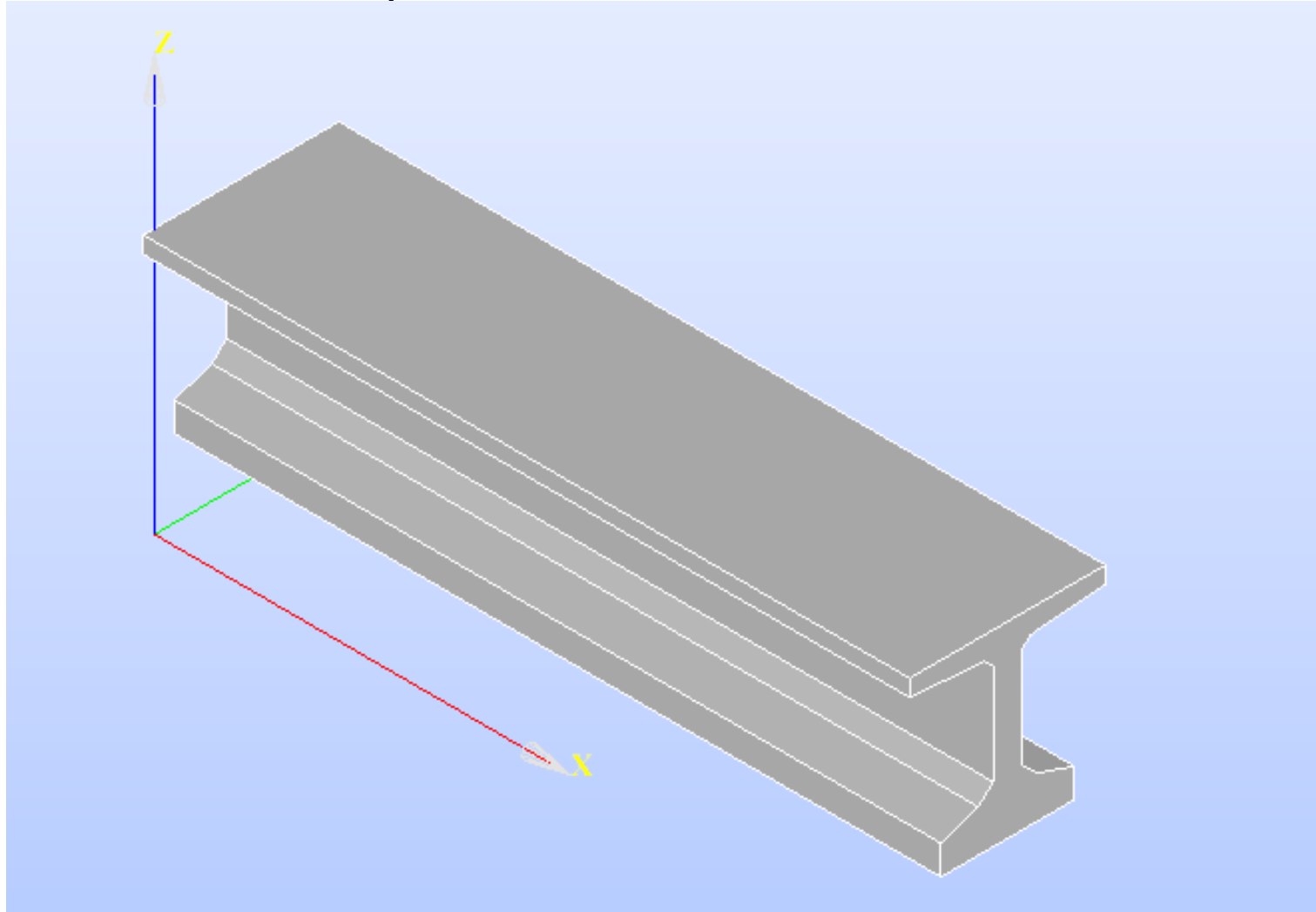


Figure (2)

- Beam Mesh – Hexahedral Elements

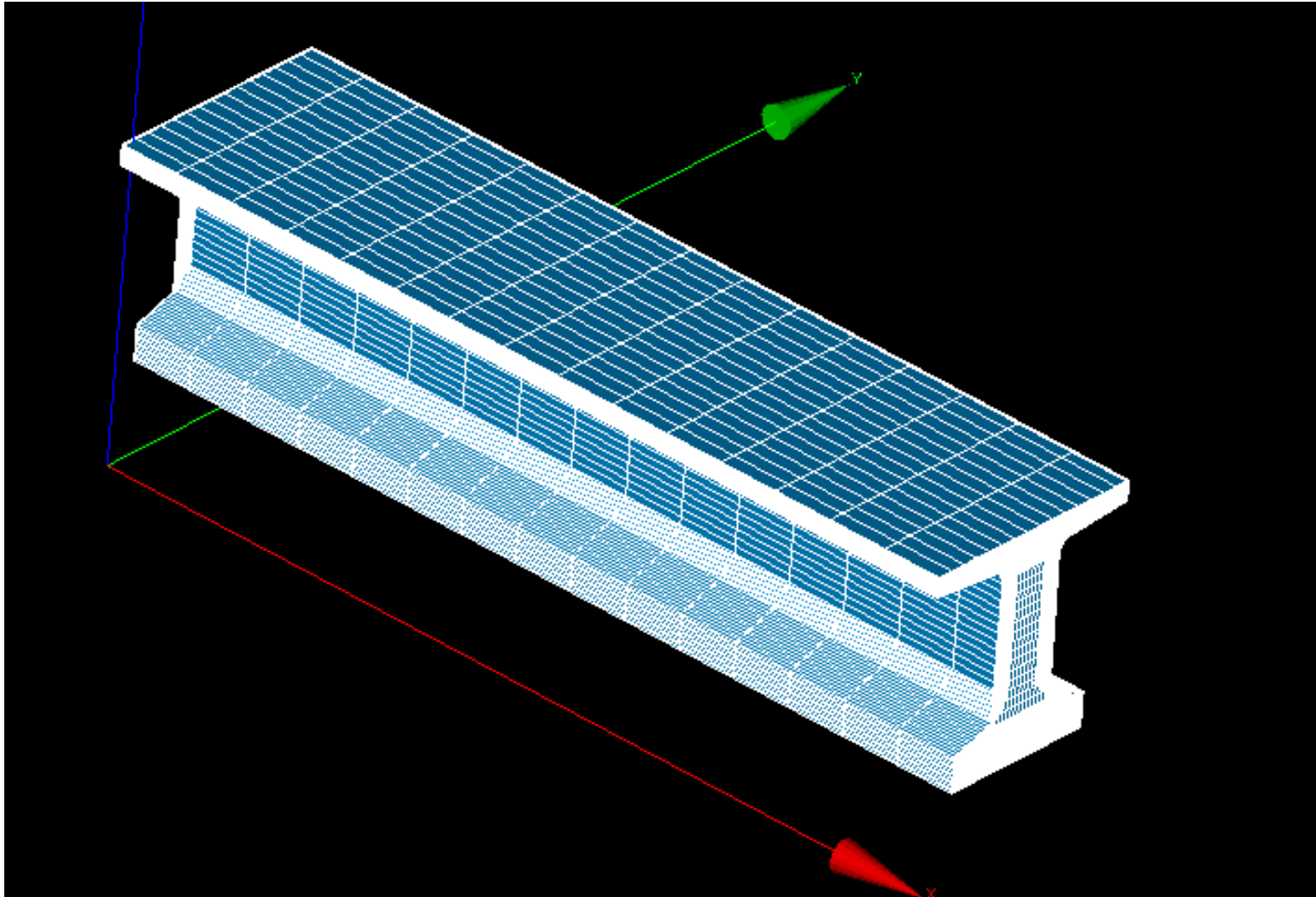


Figure (3)

- Beam Mesh – Hexahedral Elements

The image shows a software interface with a 3D model of a beam mesh on the right and a 'Mesh computation failed' dialog box on the left. The dialog box provides details about the meshing process and lists specific errors.

Mesh computation failed

Compute mesh

Name: Mesh_1

Mesh Infos

	Total	Linear	Quadratic	Bi-Quadratic
Nodes :	55936			
0D Elements :	0			
Balls :	0			
Edges :	720	720	0	
Faces :	10350	10350	0	0
Volumes :	50625	50625	0	0

Errors

Algorithm	Sub-shape	Error
1 Quadrangle_2D	#117 (Face)	Inverted elements generated
2 Quadrangle_2D	#115 (Face)	Inverted elements generated

Show Sub-shape Publish Sub-shape Show bad Mesh Bad Mesh to Group

Close Help

The 3D visualization shows a blue beam mesh with a red arrow pointing to a specific area on the top surface, likely corresponding to the errors listed in the dialog box.

Figure (4)

- Beam Mesh – Hexahedral Elements

